

По вопросам продаж и поддержки обращаться:
Астана +7(7172)727-132, Волгоград (844)278-03-48, Воронеж (473)204-51-73,
Екатеринбург (343)384-55-89, Казань (843)206-01-48, Краснодар (861)203-40-90,
Красноярск (391)204-63-61, Москва (495)268-04-70, Нижний Новгород (831)429-08-12,
Новосибирск (383)227-86-73, Ростов-на-Дону (863)308-18-15, Самара (846)206-03-16,
Санкт-Петербург (812)309-46-40, Саратов (845)249-38-78, Уфа (347)229-48-12
Россия, Казахстан и другие страны ТС. Доставка в любой город
Единый адрес для всех регионов: enk@nt-rt.ru || ermaksan.nt-rt.ru

Innovative Technologies.



HGS-A SERIES
Hydraulic Swing Beam Shear

ERMAKSAN
SHEET METAL WORKING MACHINERY

HGS-A SERIES


Hydraulic Swing Beam Shear

ERMAKSAN, known as one of the top world wide manufacturer in sheet metal industry, proudly announces its latest shear model to the market, which we call it Hydraulic Swing Beam Shear "HGS-A".

HGS-A is a perfect choice with its modern design, durable heavy body and precise cutting quality.

Long lasting and durable upper beam plays a major role in cutting. Fast and precise blade gap adjustment system is placed on the right side of the machine. Blade gap adjustment for high quality cuttings could easily be made from single point.

You will realize how great of a choice it was to go with ERMAK HGS-A Shear once you start using it.



Cybtouch 6.
Designed for easy operation that allows comfortable working with high-resolution color touch screen.

High performance investment friendly solutions;

Easy gap adjustment system helps you to get perfect cuts from the first cut.

Emergency stop buttons.
Easily reachable buttons.

High performance investment friendly solutions



Front support arms.

1 meter (39)" long, measured by mm/inch
strong front support arms with T slot and stopper.

Rigid structure.

Processed with high precision,
dynamic and static rigidity provided strong body.



General features (Cybtouch 6)

User - friendly:

- Wide, bright, colorful touch screen to program easily.
- Easy control pages.
- Complete part programming in seconds.
- Quick machine set up with EASYCUT page.
- Contextual help and warning pup-up.

Improved features:

- Auto shutdown function for energy saving.
- 10 different language selection.
- Working time.
- Wireless communication via PC/Laptop (optional).
- Backgauge auto-retraction programming.

Better cuttings:

- Automatic calculations of cutting functions upon material specifications.
- More cutting sequence and programming memory.





Squaring arm.

Makes it easy to handle the work and feeds the material through the cutting area by providing more delicate and quicker cuttings.

Collapsible finger protection. (Switch protected)

In order to control angled cuttings and drawn lines front part of protection can be pulled up by operator.

Manual blade gap adjustment.



SICK light barrier.
Fast and secure protection at all time compatible with CE standards.

Motorized back gauge system.
1000 mm long back gauge with 0,1 mm accuracy.

Rear sheet sliding plates.
Cutting parts are carried out rapidly to the back side of shear.

Solutions based on your needs;

HGS-A shears are designed to meet your fabricating needs when fast and flexible cuts are in demand.

User-friendly color touch screen.

ERMAK HGS-A 3100 X 6

Front finger protection.

Finger protection that matches with international safety standards, presents a great visual working area to operator.

Foot pedal.

Dual positioned pedal allows you to cut automatically.

Solutions based on your needs

Standard Equipments

- Hardened blades.
 - Top blades : 2 sides
 - Bottom blades : 4 sides
- CYBELEC CYBTOUCH 6 controller.
- 1000 mm motorized backgauge system with 0,1 mm accuracy.
- 1000 mm side gauge and front support arms.
- Metric and inch rulers.
- Roller bearings on the front support arms to easy placing sheets.
- Front, side and back safety panels which are suitable for CE norms.
- Rear light curtains for safety.
- Sheet sliding system.
- SIEMENS electrical system.
- Hoerbiger hydraulic system.
- Manual blade gap adjustment by side-arm.
- High pressurized silent pump.
- Holder springs.
- Moveable foot pedal.
- Emergency stop button.
- Shadow line.
- Collapsible finger protection.
- Manual blade gap adjustment.

Optional Equipments

- Optional CNC motorized blade gap.
- Front angle gauge.
- Side gauge and front support arms in optional lengths.
- Sheet support system for thin sheets.
 - 1- Pneumatic support system. (Lever type)
 - 2- Pneumatic support system. (Monoblock panel type)
- Hydraulic oil cooling and heating system.
- Optional solid table.
- Stainless steel blades.
- Ability to increase stroke amount per minute.
- Light safety system for finger protection.
- Coollant system or heater can be placed in electric panel during ambient conditions.
- Double foot pedal.
- Optional alternative colors.
- Electrical panel or controller can be placed on right side of the machine.
- Laser cutting line.
- Possibility to produce special size and capacity models due your manufacturing needs.
- Optional alternative colors.
- CE regulation and compliance certified.

Equipments



Squaring arm.

Makes it easy to handle the work and feeds the material through the cutting area by providing more delicate and quicker cuttings.



Shadow line. (standard)

Provides qualified and sensitive cutting by casting a line shadow at the cutting edge for right positioning of the worksheet to be cut.



Collapsible finger protection. (standard)

In order to control angled cuttings and drawn lines front part of protection can be pulled up by operator. (Switch protected)



Light curtains for finger protection. (option)

Designed to enable easy and quick material handling with high-protection.



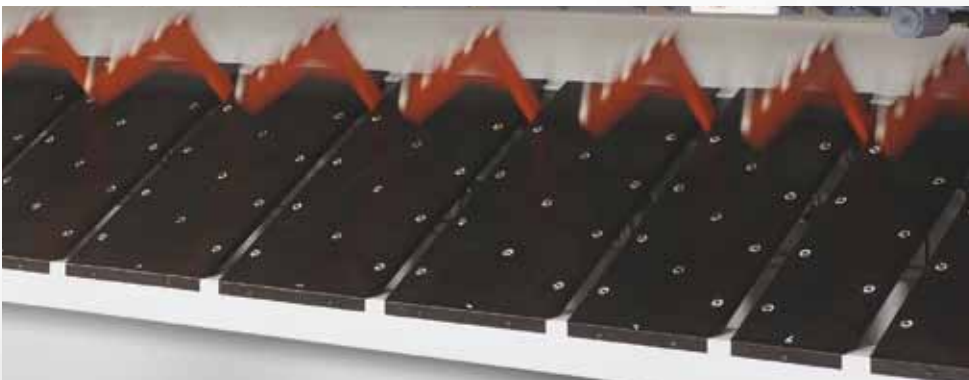
Angle gauge. (option)

This device provides accurate and easy material handling in the angled cuttings.



Laser cutting line. (option)

With the help of laser cutting line, angled or drawn line cuttings could be done easily and controllable.



Pneumatic support system. (Lever type). (option)

Pneumatic sheet support system provides user an easy method of working, is an optional function to protect sheets hanging down and to improve precision during long and thin sheets cutting with minimum scratches through plastic rolls on pneumatic sheet support system.



Pneumatic support system. (Monobloc panel type). (option)

Helps positioning thick and thin sheet metals with sensitive reinforced pneumatic system structure without sagging.

HGS-A SERIES

Hydraulic Swing Beam Shear

Technical Features

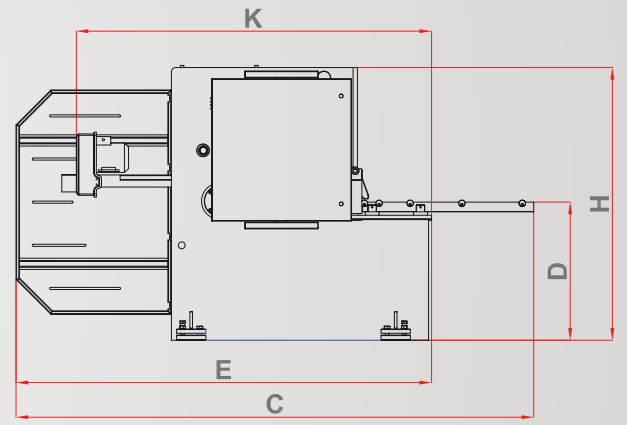
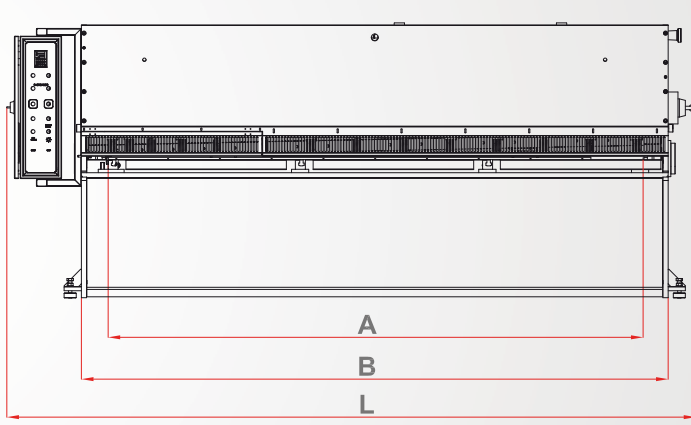
TYPE	CUTTING LENGTH	CUTTING CAPACITY (42kg/mm ²)	CUTTING CAPACITY (70kg/mm ²)	CUTTING ANGLE	STROKE PER MINUTE	NUMBER OF HOLD DOWNS	PRESSURE	MAIN MOTOR	BACK GAUGE MOTOR	OIL CAPACITY	BLADE GAP ADJUSTMENT
	A										
	mm	mm	mm	(°)	1/min.	Amount	ton	kW	kW	lt.	mm
HGS-A 2100-6	2100	6	4	1.2	28	11	9	11	0.75	150	0,05-0,8
HGS-A 2600-6	2600	6	4	1.2	24	12	10	11	0.75	150	0,05-0,8
HGS-A 3100-6	3100	6	4	1.2	20	14	12	11	0.75	150	0,05-0,8
HGS-A 3600-6	3600	6	4	1.2	17	16	13	11	0.75	150	0,05-0,8
HGS-A 4100-6	4100	6	4	1.2	15	18	15	11	0.75	150	0,05-0,8
HGS-A 2100-8	2100	8	5	1.5	20	11	12	15	0.75	200	0,05-1
HGS-A 2600-8	2600	8	5	1.5	18	12	14	15	0.75	200	0,05-1
HGS-A 3100-8	3100	8	5	1.5	16	14	18	15	0.75	200	0,05-1
HGS-A 4100-8	4100	8	5	1.5	12	18	23	15	0.75	200	0,05-1

Shear Series

ERMAKSAN proven experience in the world since 1965 by using high-tech manufacturing technologies CNC HVR, HGD and HGS-A models are brought the sheet metal working market.

ERMAKSAN, improves its reliability every day by working with highly educated engineers and by using the latest technology in rapidly developing sheet metal industry. By using world standard steel, hydraulic systems and electronic products all your production needs provided.

Your needs are met with different options by fast, flexible and the most appropriate way.



BACK GAUGE STROKE	BACK GAUGE SPEED	NUMBER OF SHEET SUPPORT ARMS	TABLE LENGTH	MACHINE WIDTH	TABLE HEIGHT	WIDTH	TRANSPORT WIDTH	HEIGHT	LENGTH	WEIGHT
mm	mm/s	Amount	B	C	D	E	K	H	L	kg
1000	110	2	2415	3010	800	2410	2100	1640	3000	4250
1000	110	2	2900	3010	800	2410	2100	1640	3500	5000
1000	110	2	3400	3010	800	2410	2100	1640	4000	5500
1000	110	3	3930	3010	800	2410	2100	1650	4500	7350
1000	110	3	4430	3010	800	2410	2100	1650	5000	7800
1000	110	2	2435	3040	800	2450	2100	1700	3025	5200
1000	110	2	2935	3040	800	2450	2100	1700	3525	6000
1000	110	2	3435	3040	800	2450	2100	1700	4025	6800
1000	110	3	4435	3095	850	2555	2150	1850	4075	9800



CNC HVR SERIES
Variable Rake Hydraulic Guillotine Shear



HGD SERIES
Hydraulic Swing Beam Shear



HGS-A SERIES
Hydraulic Swing Beam Shear

По вопросам продаж и поддержки обращаться:
Астана +7(7172)727-132, Волгоград (844)278-03-48, Воронеж (473)204-51-73,
Екатеринбург (343)384-55-89, Казань (843)206-01-48, Краснодар (861)203-40-90,
Красноярск (391)204-63-61, Москва (495)268-04-70, Нижний Новгород (831)429-08-12,
Новосибирск (383)227-86-73, Ростов-на-Дону (863)308-18-15, Самара (846)206-03-16,
Санкт-Петербург (812)309-46-40, Саратов (845)249-38-78, Уфа (347)229-48-12
Россия, Казахстан и другие страны ТС. Доставка в любой город
Единый адрес для всех регионов: enk@nt-rt.ru || ermaksan.nt-rt.ru